



Cod.1099/387

5MP 30X Starlight IR POE AI PTZ Camera

TECHNICAL FEATURES

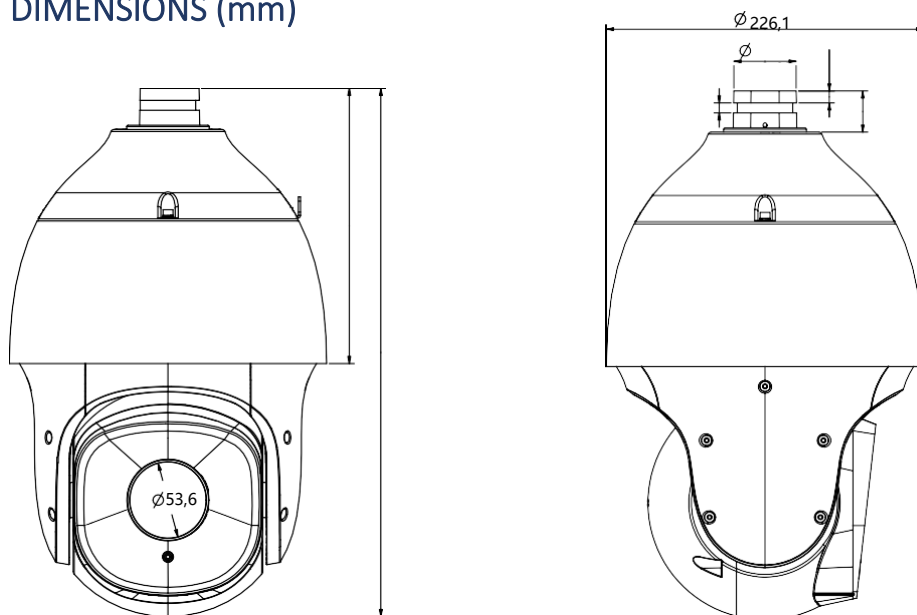
- Optical zoom: 30x, digital zoom 16x
- Smart IR, IR Range: 200m
- S+265/H.265/H.264/M-JPEG
- Intelligent monitoring/ Face Capture mode
- Support Auto-tracking
- Plugin Free
- IP67
- Support Human/Vehicle Classification

Camera	
Image Sensor	1/2.8" CMOS
Signal System	PAL/NTSC
Min. Illumination	Color: 0.001lux@ (F1.5, ACG ON), BW: 0lux with IR
Shutter Time	1s to 1/100,000s
Day & Night	Dual IR Cut Filter with Auto Switch
Wide Dynamic Range	120dB
Optical Zoom	30x
Digital Zoom	16x
Lens	
Focal Length	4.7mm~141mm
Zoom Speed	<5s
Angle of View	Horizontal filed of view: 61.9° (w)~2.5° (t) Vertical filed of view: 35.5° (w)~1.4° (t) Diagonal field of view: 69.1°(w)~2.9°(t)
Aperture Range	F1.6~F4.3
Focus Control	Auto,semi-auto,manuale
DORI Distance	Detect: 2600m Observe: 1031m Recognize: 520m Identify: 260m
Pan&Tilt	
Pan Range	360°
Pan Speed	Pan Manual Speed: 0.1°~180°/s, Pan Preset Speed: 240°/s
Tilt Range	-16°~90° (Auto flip)
Tilt Speed	Tilt Manual Speed: 0.1°~120°/s, Tilt Preset Speed: 180°/s
3D Position	Yes
Presets	500
Preset Accuracy	±0.4°
Scan	8
Cruise	16, up to 32 presets per cruise
Pattern	8, each with 600s memory or 1000 orders
Power-off Memory	Yes
RS-485 Protocols	DOME_PELCO_D, DOME_PELCO_P, DOME_PLUS
Illuminator	
IR LEDs	10
IR Range	Up to 200m
IR Irradiation Angle	Adjustable by Zoom
White LEDs	N/A
Compression Standard	
Video Compression	S+265/H.265/H.264/M-JPEG
Video Bit Rate	32Kbps~16Mbps
Audio Compression	G.711A/G.711U/ADPCM_D/AAC_LC
Audio Bit Rate	8K~48Kbps
Immagine	
Max. Resolution	5,0MP (2592×1944)
Main Stream	PAL: 25fps (2592×1944, 2560×1440), 50fps (1920×1080, 1280×720) NTSC: 30fps (2592×1944, 2560×1440), 60fps (1920×1080, 1280×720)
Sub Stream	PAL: 25fps (704×576, 704×288, 640×360, 352×288) NTSC: 30fps (704×480, 704×240, 640×360, 352×240)
Third Stream	PAL: 25fps (704×576, 704×288, 640×480, 352×288) NTSC: 30fps (704×480, 704×240, 640×480, 352×240)

Image Setting	Saturation, brightness, contrast, sharpness, adjustable by client software or web browser
Image Enhancement	BLC/3D DNR/HLC
ROI	7 Dynamic Areas for Both Main and Sub Stream, support auto-tracking ROI
OSD	16×16, 24×24,32×32, 48×48, 64×64, 96×96, adaptable size, Letters Such as Week, Date, Time, Total 5 Regions
Picture Overlay	Yes
Privacy Mask	Yes
Smart Defog	Yes - Digital
Feature	
Alarm Trigger	Motion Detection; Mask Alarm;Disk Full;Disk R/W Error;IP Address Conflict;MAC Address Conflict; FTP Server Exception ;Event Input, Event Output
Video Analytics	Human/Vehicle Classification;Tripwire;Double Tripwire;Perimeter;Object Abandon;Object Lost;Heatmap;Loitering;Running;Parking;People Counting;Crowded;Safety Helmet Detection;On Duty Detection; Video Abnormal;Audio Abnormal
Early Warning(EW)	N/A
Auto-Tracking	Yes
Face Detection e Analytics	
Operating Mode	Face capture, intelligent monitoring optional, default intelligent monitoring
Face Detection Performance	Detects up to 32 faces at the same scene
Network	
Protocols	HTTP;HTTPS;TCP/IP;UDP;UPnP;SNMP;DHCP;DNS;DDNS;Easy NS;NTP;SMTP;SSL;802.1X;QoS;IPv4;IPv6; PPPOE;SSH;Unicast;Multicast;RTP;SRTP;RTSP;FTP;SFTP;NAS
System Compatibility	ONVIF (PROFILE S/T/G/M), CGI, RTMP
ANR	Auto store video in SD card when NVR disconnected, and upload video to NVR when resumed connection
Remote Connection	≤7
Client	Neius Control
Web	IE10+;Firefox52+;Edge89+;Safari11+;Chrome57+
Interface	
Communication Interface	1 RJ45 10M/100M self adaptive Ethernet port
Audio	1/1
Alarm	8/2
Speaker	N/A
Reset Button	Yes
On-board storage	Built-in Micro SD card slot, up to 512 GB
RS-485	Yes
BNC	Yes
Wiper	N/A
General	
Web Client Language	12 lingue English, Spanish, Korean, Italian, Turkish, Russian, Thai,French, Polish, Dutch, Hebraism, Arabic, Vietnamese
Operating Conditions	-40°C~70°C (IR OFF), -40°C~40°C (IR ON), 0-95%UR
Power Supply	AC24V±25%/POE++(IEEE802.3 bt)
Power Consumption	20W (IR OFF), 38W (IR ON)
Protection	IP66, Lightning protection, surge protection and voltage transient protection
Heater	N/A
Dimensions	Φ222x372mm
Weight	5.3kg

1099/387 5MP 30X Starlight IR POE AI PTZ Camera

DIMENSIONS (mm)



ACCESSORIES



**Wall Mount
Included**



**3000/146
Junction box**



**3000/143
Pendant bracket**



**3000/147
Pole adapter**



**3000/145
Corner adapter**

Technical specifications are subject to changes without notice.

Urmet S.p.A. | Via Bologna, 188/C | 10154 TORINO (ITALY)

T +39 011.24.00.000

info@urmet.com | **urmet.com**

CUSTOMER SERVICE +39 011.23.39.810